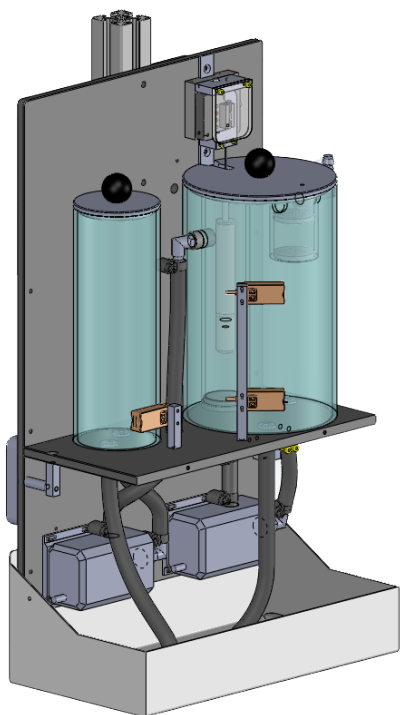


April 2018

NEWSLETTER

We keep you up-to-date with our latest news

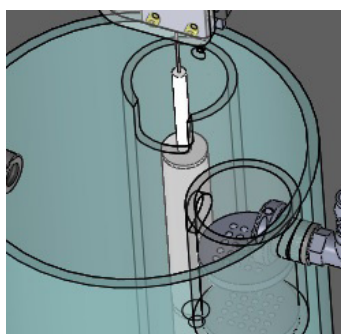


FM-350 - Flux feed and density adjustment in a single compact machine

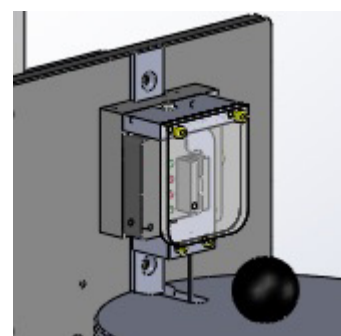
The FM-350 is a direct evolution of our FM series (FM 100 → FM 200 → FM 300). It is equipped with a newly developed measuring system and impresses with its ease of use and excellent precision.

Advantages over the previous FM-300

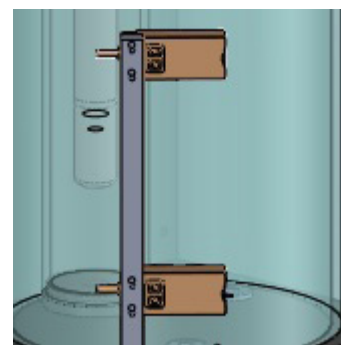
- Compact design
- Very user friendly
- Easy setup of the density value
- Can be used for different fluxes
- Non-sensitive measuring device
- Fill level control
- Optionally also with wave level monitoring



Measuring device float



Measuring device sensors



Fill level sensors
(capacitive)

Phone: +49 (0)7728-6447-0

Fax: +49 (0)7728-6447-28

info@ahap-automation.com

www.ahap-automation.com